



Miluz ZeTa

se.com

Life Is On

Schneider
Electric



Contents

Presentation	4
Functions	6
Controls	7
Comfort Controls.....	9
Socket Outlets.....	13
USB Chargers.....	14
Communication Outlets	17
Cover Frames	19
Technical Information	22
Dimensions	23
Connections	24
Reference Numbers	39

Switches that do more

Miluz ZeTa: Little things, big impact



Discover Miluz ZeTa, the latest range of switches and sockets, and smart home connectivity solutions from the globally renowned Miluz range of switches and sockets by Schneider Electric, now available in India.



Awarded India's Best Design Project 2024, Miluz ZeTa is not just a switch – it is the start of a smarter, simpler, and greener way of life. Now you can simplify daily routines, with an effortless way to manage your home's energy needs. The range is also fully compatible with Wiser™ for seamless, state-of-the-art energy management and home automation. Transform your home into an intelligent, comfortable, and sustainable living space.



Delivering exceptional performance while also offering a wide variety of colors, Miluz ZeTa's curated palette and superior functionality are designed to 'offer you more' every day.

Not just a switch, it is a smarter way to live

Unique 'see-saw' design

Thoughtfully crafted to offer customers a 'crisp click' with its minimal elevation, for a premium touch and feel, every time.

Bottom removal slot

A clever removal slot at the bottom ensures no damage to your wall's paint or look during installation or maintenance.

Sleek cover frame

Well-crafted convex cover frame adds to the ambiance with its simple yet elegant design.

Available in 6 luxurious colors

Made for all types of walls and interiors. Choose from Glossy White, Matt Anthracite, Metallic Warm Grey, Metallic Champagne Gold, Metallic Bronze, and Metallic Silver Grey.





Redefine modern living with smart and stylish switches and sockets

Arc shield

Restricted arc views enhances the feeling of safety while operating switches.

Copper moving contact

The durable copper contact offers enhanced durability and lifespan.

Captive Screws

Ensures that terminal screws are not misplaced to help prevent loose contacts and short circuits.



Discover unmatched convenience and adaptability

Slotted screws

Electricians can mount these switches quickly and easily without additional screwdrivers.

Easy universal alignment

Optimize space and add flexibility with smart functions that can be mounted vertically or horizontally.



Enhance safety and security in every corner

Sockets that don't allow single-pin insertions

The shutters in the 'live' and 'neutral' terminals open only when two pins are inserted simultaneously, protecting against accidental shocks even if an object is inserted in one of the terminals.

Double-sided wire entry for faster installation

Wiring can be done from the top or bottom to offer greater ease and surety of contact.

User-friendly sockets

Easy insertion and proper grip in all sockets for both 2-pin and 3-pin plug points.

Keyhole feature on grid plates

Enable faster installation.



Bring home sustainable style

Made using sustainable materials

Our switches' back housing uses Akulon® K-X08983, made from 20 % recycled content, to ensure durability and reduce resource consumption.

Environmental Data

Miluz ZeTa achieves high standards in Environmental Data from RoHS, to REACH, and Environmental Product Declaration standards, with comprehensive environmental and end-of-life instructions.

Brown paper packaging

It cuts fossil fuel use, is recyclable, reduces waste construction sites, and helps save on materials and transportation costs.

Miluz ZeTa Controls



Switches – 10 A – 250 V AC

	1-way	1-way with indicator	2-way
1 module			
<input type="checkbox"/> White	MZSW101M1W_WH	MZSWI101M1W_WH	MZSW101M2W_WH
<input checked="" type="checkbox"/> Anthracite	MZSW101M1W_AN	MZSWI101M1W_AN	MZSW101M2W_AN
<input checked="" type="checkbox"/> Warm grey	MZSW101M1W_WG	MZSWI101M1W_WG	MZSW101M2W_WG
2 modules			
<input type="checkbox"/> White	MZSW102M1W_WH	MZSWI102M1W_WH	-
<input checked="" type="checkbox"/> Anthracite	MZSW102M1W_AN	MZSWI102M1W_AN	-
<input checked="" type="checkbox"/> Warm grey	MZSW102M1W_WG	MZSWI102M1W_WG	-

Switches – 16 A – 250 V AC

	1-way	1-way with indicator	2-way
1 module			
<input type="checkbox"/> White	MZSW161M1W_WH	MZSWI161M1W_WH	MZSW161M2W_WH
<input checked="" type="checkbox"/> Anthracite	MZSW161M1W_AN	MZSWI161M1W_AN	MZSW161M2W_AN
<input checked="" type="checkbox"/> Warm grey	MZSW161M1W_WG	MZSWI161M1W_WG	MZSW161M2W_WG
2 modules			
<input type="checkbox"/> White	MZSW162M1W_WH	MZSWI162M1W_WH	-
<input checked="" type="checkbox"/> Anthracite	MZSW162M1W_AN	MZSWI162M1W_AN	-
<input checked="" type="checkbox"/> Warm grey	MZSW162M1W_WG	MZSWI162M1W_WG	-

Motor Starter Switches – 25 A – 250 V AC

1 module	
<input type="checkbox"/> White	MZMOTSTR2M_WH
<input checked="" type="checkbox"/> Anthracite	MZMOTSTR2M_AN
<input checked="" type="checkbox"/> Warm grey	MZMOTSTR2M_WG

Switches – 20 A – 250 V AC

	2-pole with indicator
2 modules	
<input type="checkbox"/> White	MZSWI202MDP_WH
<input checked="" type="checkbox"/> Anthracite	MZSWI202MDP_AN
<input checked="" type="checkbox"/> Warm grey	MZSWI202MDP_WG

Switches – 32 A – 250 V AC

	2-pole with indicator
2 modules	
<input type="checkbox"/> White	MZSWI322MDP_WH
<input checked="" type="checkbox"/> Anthracite	MZSWI322MDP_AN
<input checked="" type="checkbox"/> Warm grey	MZSWI322MDP_WG

Blank Off Units

1 module	
<input type="checkbox"/> White	MZBLANK1M_WH
<input checked="" type="checkbox"/> Anthracite	MZBLANK1M_AN
<input checked="" type="checkbox"/> Warm grey	MZBLANK1M_WG

LED Phase Indicator

1 module	
<input checked="" type="checkbox"/> Red	MZPHSIND1M_RD

Miluz ZeTa Comfort Controls



Dimmers – 400 W



1 module	
<input type="checkbox"/> White	MZDMR1M_WH
<input checked="" type="checkbox"/> Anthracite	MZDMR1M_AN
<input checked="" type="checkbox"/> Warm grey	MZDMR1M_WG

Air Quality Indicators



2 modules	
<input type="checkbox"/> White	MZAQI2M_WH
<input checked="" type="checkbox"/> Anthracite	MZAQI2M_AN
<input checked="" type="checkbox"/> Warm grey	MZAQI2M_WG

Door Chimes



2 modules	
<input type="checkbox"/> White	MZDRCHM2M_WH
<input checked="" type="checkbox"/> Anthracite	MZDRCHM2M_AN
<input checked="" type="checkbox"/> Warm grey	MZDRCHM2M_WG

LED Foot lamps with Motion Sensors



2 modules	
<input type="checkbox"/> White	MZFTLMPSEN2M_WH
<input checked="" type="checkbox"/> Anthracite	MZFTLMPSEN2M_AN
<input checked="" type="checkbox"/> Warm grey	MZFTLMPSEN2M_WG

Bell Push Switches – 6 A – 250 V AC

	1-way	1-way with indicator



1 module		
<input type="checkbox"/> White	MZBP1M_WH	MZBPI1M_WH
<input checked="" type="checkbox"/> Anthracite	MZBP1M_AN	MZBPI1M_AN
<input checked="" type="checkbox"/> Warm grey	MZBP1M_WG	MZBPI1M_WG



2 modules		
<input type="checkbox"/> White	MZBP2M_WH	MZBPI2M_WH
<input checked="" type="checkbox"/> Anthracite	MZBP2M_AN	MZBPI2M_AN
<input checked="" type="checkbox"/> Warm grey	MZBP2M_WG	MZBPI2M_WG

4-Step Fan Regulators – 100 W



1 module	
<input type="checkbox"/> White	MZFR4STP1M_WH
<input checked="" type="checkbox"/> Anthracite	MZFR4STP1M_AN
<input checked="" type="checkbox"/> Warm grey	MZFR4STP1M_WG

5-Step Fan Regulators – 120 W



2 modules	
<input type="checkbox"/> White	MZFR5STP2M_WH
<input checked="" type="checkbox"/> Anthracite	MZFR5STP2M_AN
<input checked="" type="checkbox"/> Warm grey	MZFR5STP2M_WG

Comfort Controls

Universal LED Dimmers



1 module	
<input type="checkbox"/> White	MZDMRUNI1M_WH
<input checked="" type="checkbox"/> Anthracite	MZDMRUNI1M_AN
<input type="checkbox"/> Warm grey	MZDMRUNI1M_WG

DND MMR Switches



2 modules	
<input type="checkbox"/> White	MZDMSW2M_WH
<input checked="" type="checkbox"/> Anthracite	MZDMSW2M_AN
<input type="checkbox"/> Warm grey	MZDMSW2M_WG

Electronic Key Card Switches



2 modules	
<input type="checkbox"/> White	MZKECRDSW2M_WH
<input checked="" type="checkbox"/> Anthracite	MZKECRDSW2M_AN
<input type="checkbox"/> Warm grey	MZKECRDSW2M_WG

DND MMR Indicator



1 module	
<input checked="" type="checkbox"/> Anthracite	MZDMI1M_NA

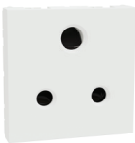


Miluz ZeTa Socket Outlets and USB Chargers




Socket Outlets


Socket Outlets – 6 A – 250 V AC

3-pin with shutter	
	
2 modules	
<input type="checkbox"/> White	MZSO62M3P_WH
<input checked="" type="checkbox"/> Anthracite	MZSO62M3P_AN
<input checked="" type="checkbox"/> Warm grey	MZSO62M3P_WG


Socket Outlets – 6/16 A – 250 V AC

3-pin with shutter	
	
2 modules	
<input type="checkbox"/> White	MZSO6162M3P_WH
<input checked="" type="checkbox"/> Anthracite	MZSO6162M3P_AN
<input checked="" type="checkbox"/> Warm grey	MZSO6162M3P_WG


Switched Sockets – 6 A

	
2 modules	
<input type="checkbox"/> White	MZSWSO62M_WH
<input checked="" type="checkbox"/> Anthracite	MZSWSO62M_AN
<input checked="" type="checkbox"/> Warm grey	MZSWSO62M_WG


Shaver Sockets – 110 V

	
3 modules	
<input type="checkbox"/> White	MZSHVRSO3M_WH
<input checked="" type="checkbox"/> Anthracite	MZSHVRSO3M_AN
<input checked="" type="checkbox"/> Warm grey	MZSHVRSO3M_WG

Voltage Surge Protectors – 230 V





	
1 module	
<input type="checkbox"/> White	MZVSP1M_WH
<input checked="" type="checkbox"/> Anthracite	MZVSP1M_AN
<input checked="" type="checkbox"/> Warm grey	MZVSP1M_WG

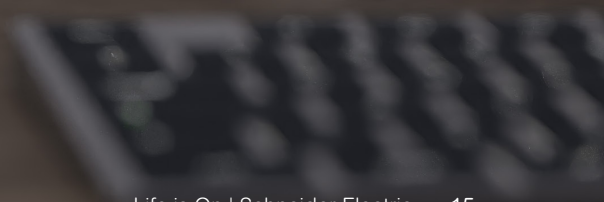
Modular MCB Surge Protectors

	C-curve		
	16 A	20 A	32 A
			
1 module			
<input type="checkbox"/> White	MZMM161P_WH	MZMM201P_WH	MZMM321P_WH
<input checked="" type="checkbox"/> Anthracite	MZMM161P_AN	MZMM201P_AN	MZMM321P_AN
<input checked="" type="checkbox"/> Warm grey	MZMM161P_WG	MZMM201P_WG	MZMM321P_WG

USB Chargers

USB Chargers

	Type A (10.5 W)	Type (A+C) (12 W)
		
1 module		
<input type="checkbox"/> White	MZUSBA1M_WH	MZUSBAC1M_WH
<input checked="" type="checkbox"/> Anthracite	MZUSBA1M_AN	MZUSBAC1M_AN
<input checked="" type="checkbox"/> Warm grey	MZUSBA1M_WG	MZUSBAC1M_WG
	Type (A+C) (21 W)	
		
2 modules		
<input type="checkbox"/> White	MZUSBAC2MPD_WH	MZUSBAC2MPDH_WH
<input checked="" type="checkbox"/> Anthracite	MZUSBAC2MPD_AN	MZUSBAC2MPDH_AN
<input checked="" type="checkbox"/> Warm grey	MZUSBAC2MPD_WG	MZUSBAC2MPDH_WG




Miluz ZeTa Communication Outlets




Communication Outlets


RJ45 Data Sockets

Cat. 6 with shutter	
	
1 module	
<input type="checkbox"/> White	MZRJ451M_WH
<input checked="" type="checkbox"/> Anthracite	MZRJ451M_AN
<input type="checkbox"/> Warm grey	MZRJ451M_WG


RJ11 Telephone Sockets

RJ11 with shutter	
	
1 module	
<input type="checkbox"/> White	MZRJ111M_WH
<input checked="" type="checkbox"/> Anthracite	MZRJ111M_AN
<input type="checkbox"/> Warm grey	MZRJ111M_WG

TV Sockets

	
1 module	
<input type="checkbox"/> White	MZTV1M_WH
<input checked="" type="checkbox"/> Anthracite	MZTV1M_AN
<input type="checkbox"/> Warm grey	MZTV1M_WG





HDMI Sockets

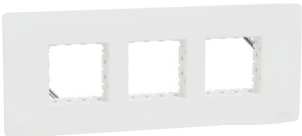
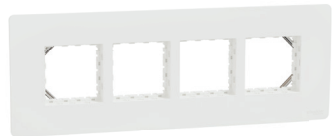

	
1 module	
<input type="checkbox"/> White	MZHDMI1M_WH
<input checked="" type="checkbox"/> Anthracite	MZHDMI1M_AN
<input type="checkbox"/> Warm grey	MZHDMI1M_WG

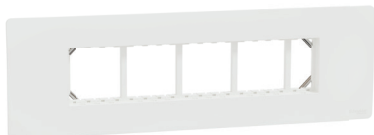
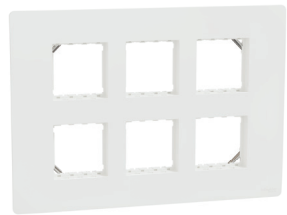
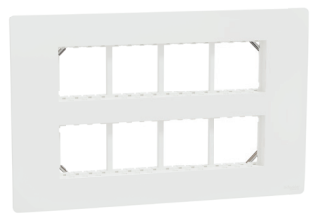
Miluz ZeTa Cover Frames



Cover Frames

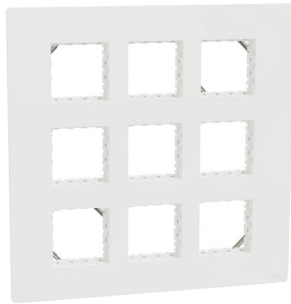
	1 module	2 modules	3 modules	3 modules Universal bridge	4 modules
					
Cover frame and grid plate					
<input type="checkbox"/> White	MZCP1M_WH	MZCP2M_WH	MZCP3M_WH	MZCP3MU_WH	MZCP4M_WH
<input checked="" type="checkbox"/> Anthracite	MZCP1M_AN	MZCP2M_AN	MZCP3M_AN	MZCP3MU_AN	MZCP4M_AN
<input type="checkbox"/> Warm grey	MZCP1M_WG	MZCP2M_WG	MZCP3M_WG	MZCP3MU_WG	MZCP4M_WG
<input type="checkbox"/> Silver grey	MZCP1M_SG	MZCP2M_SG	MZCP3M_SG	MZCP3MU_SG	MZCP4M_SG
<input type="checkbox"/> Bronze	MZCP1M_BZ	MZCP2M_BZ	MZCP3M_BZ	MZCP3MU_BZ	MZCP4M_BZ
<input type="checkbox"/> Champagne gold	MZCP1M_CG	MZCP2M_CG	MZCP3M_CG	MZCP3MU_CG	MZCP4M_CG

	6 modules	8 modules Horizontal	Square
			
Cover frame and grid plate			
<input type="checkbox"/> White	MZCP6M_WH	MZCP8MH_WH	MZCP8MS_WH
<input checked="" type="checkbox"/> Anthracite	MZCP6M_AN	MZCP8MH_AN	MZCP8MS_AN
<input type="checkbox"/> Warm grey	MZCP6M_WG	MZCP8MH_WG	MZCP8MS_WG
<input type="checkbox"/> Silver grey	MZCP6M_SG	MZCP8MH_SG	MZCP8MS_SG
<input type="checkbox"/> Bronze	MZCP6M_BZ	MZCP8MH_BZ	MZCP8MS_BZ
<input type="checkbox"/> Champagne gold	MZCP6M_CG	MZCP8MH_CG	MZCP8MS_CG

	9 modules	12 modules	16 modules
			
Cover frame and grid plate			
<input type="checkbox"/> White	MZCP9M_WH	MZCP12M_WH	MZCP16M_WH
<input checked="" type="checkbox"/> Anthracite	MZCP9M_AN	MZCP12M_AN	MZCP16M_AN
<input type="checkbox"/> Warm grey	MZCP9M_WG	MZCP12M_WG	MZCP16M_WG
<input type="checkbox"/> Silver grey	MZCP9M_SG	MZCP12M_SG	MZCP16M_SG
<input type="checkbox"/> Bronze	MZCP9M_BZ	MZCP12M_BZ	MZCP16M_BZ
<input type="checkbox"/> Champagne gold	MZCP9M_CG	MZCP12M_CG	MZCP16M_CG

Cover Frames

16 modules



Cover frame and grid plate

White	MZCP18M_WH
Anthracite	MZCP18M_AN
Warm grey	MZCP18M_WG
Silver grey	MZCP18M_SG
Bronze	MZCP18M_BZ
Champagne gold	MZCP18M_CG

IP Cover

2 modules 3 modules



IP cover

Grey	MZIPCVR2M_GY	MZIPCVR3M_GY
------	--------------	--------------



Miluz ZeTa Technical Information

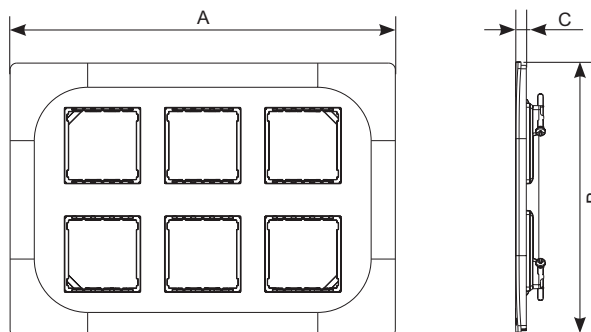
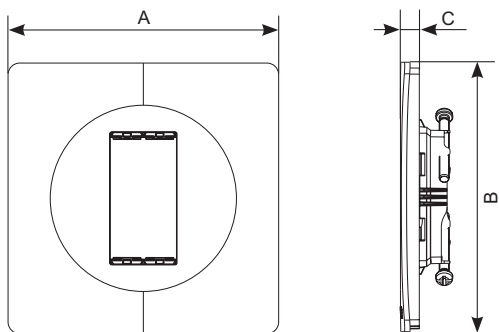


Technical Information

Dimensions

Cover Frames

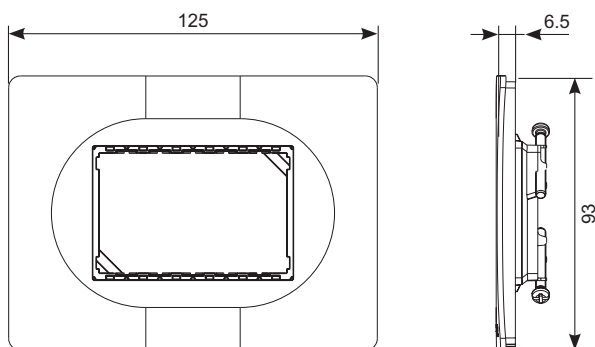
Dimensions (mm)



Type	Width	Height	Depth
	A	B	C
1 module	93	93	6.5
2 modules	93	93	6.5
3 modules	125	93	6.5
4 modules	157	93	6.5
6 modules	231	93	6.5
8 modules (Horizontal)	256	93	6.5
9 modules	297	93	6.5

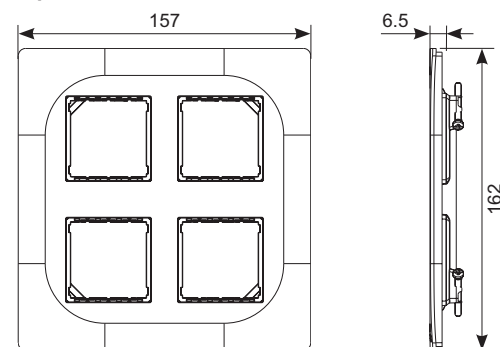
Type	Width	Height	Depth
	A	B	B
12 modules	231	164	6.5
16 modules	258	164	6.5

Uni Cover Frame and Grid Plate



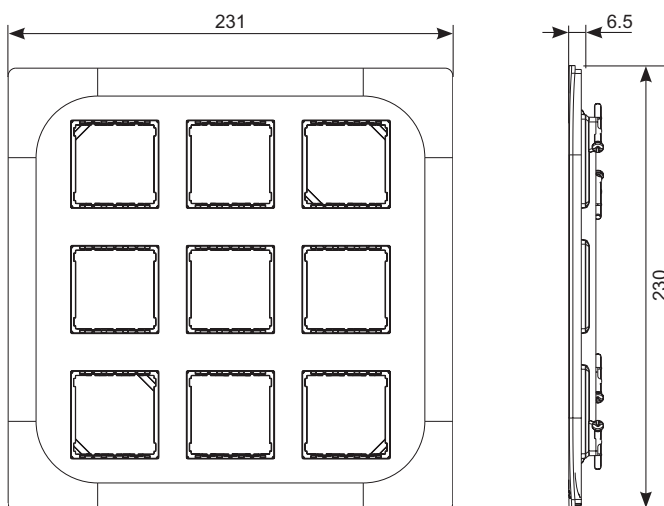
3 modules

Square Cover Frame and Grid Plate



8 modules

Cover Frame and Grid Plate



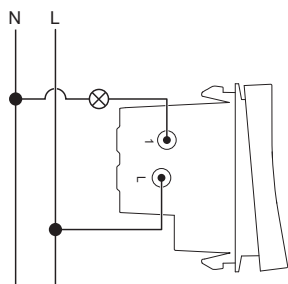
18 modules

Technical Information

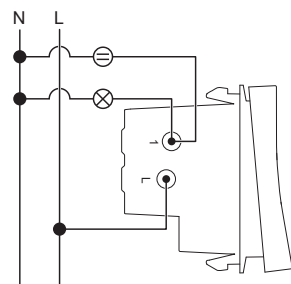
Connections

Switches

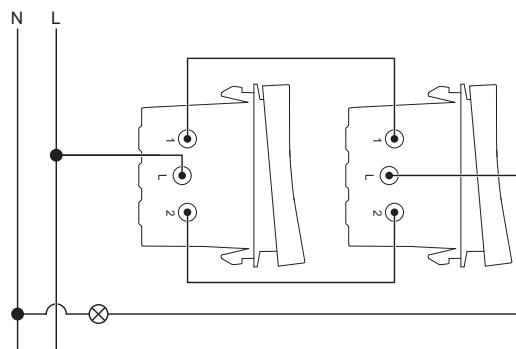
1-way Switch



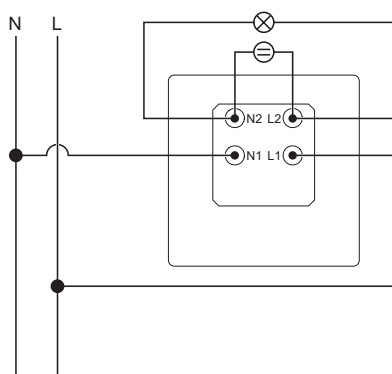
1-way Switch with Indicator



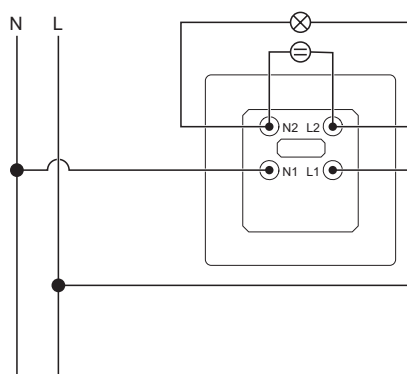
2-way Switch



20 A Switch

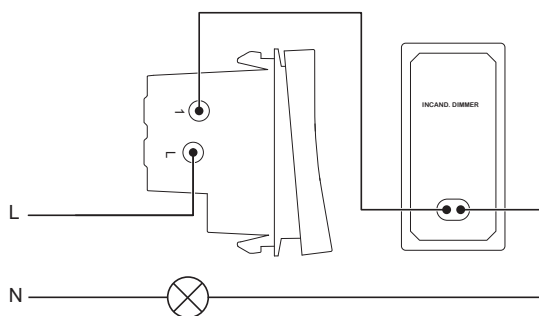


32 A Switch

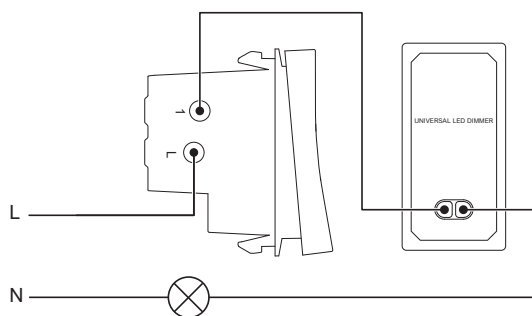


Dimmers

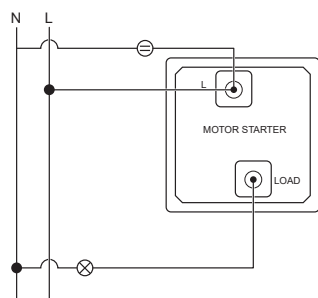
400 W Dimmer



Universal LED Dimmer



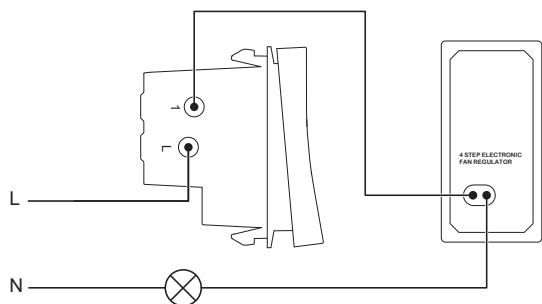
Motor Starter



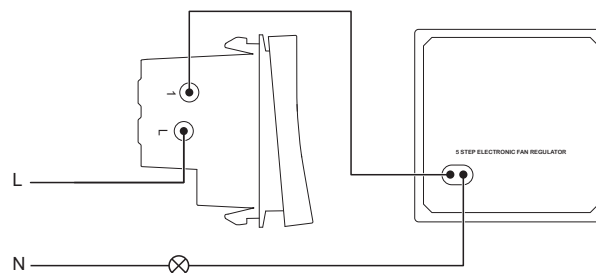
Technical Information Connections

Fan Regulators

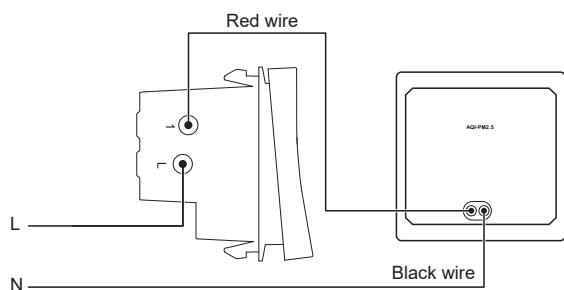
4-Step Fan Regulator



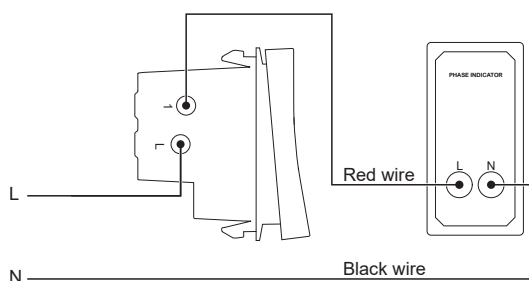
5-Step Fan Regulator



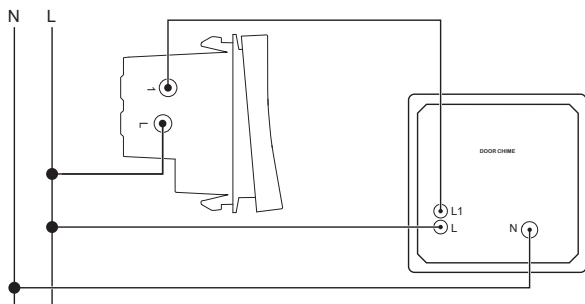
Air Quality Indicator



LED Phase Indicator

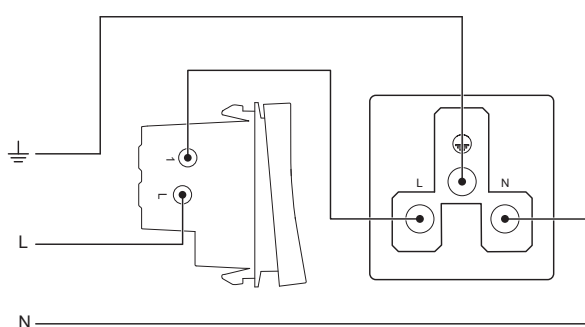


Door Chime

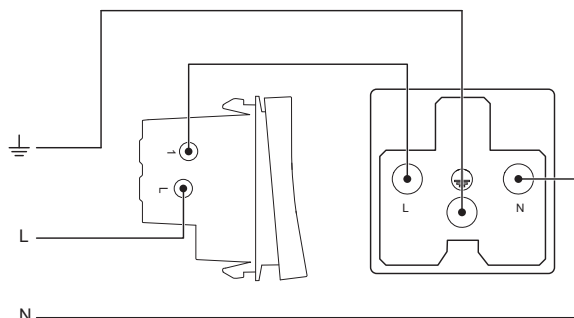


Socket Outlets

6 A Socket with Shutter



16 A Socket with Shutter

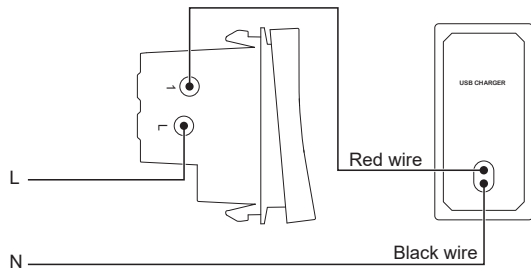


Technical Information

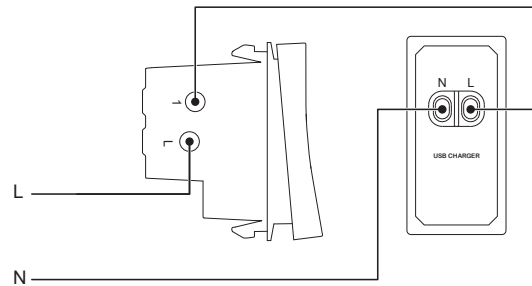
Connections

USB Chargers

10.5 W USB Charger Type A

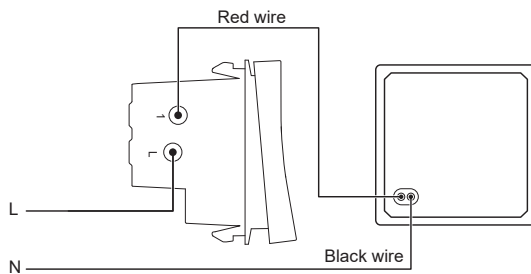


12 W USB Charger Type (A+C)



1 module

21 W USB Charger Type (A+C)

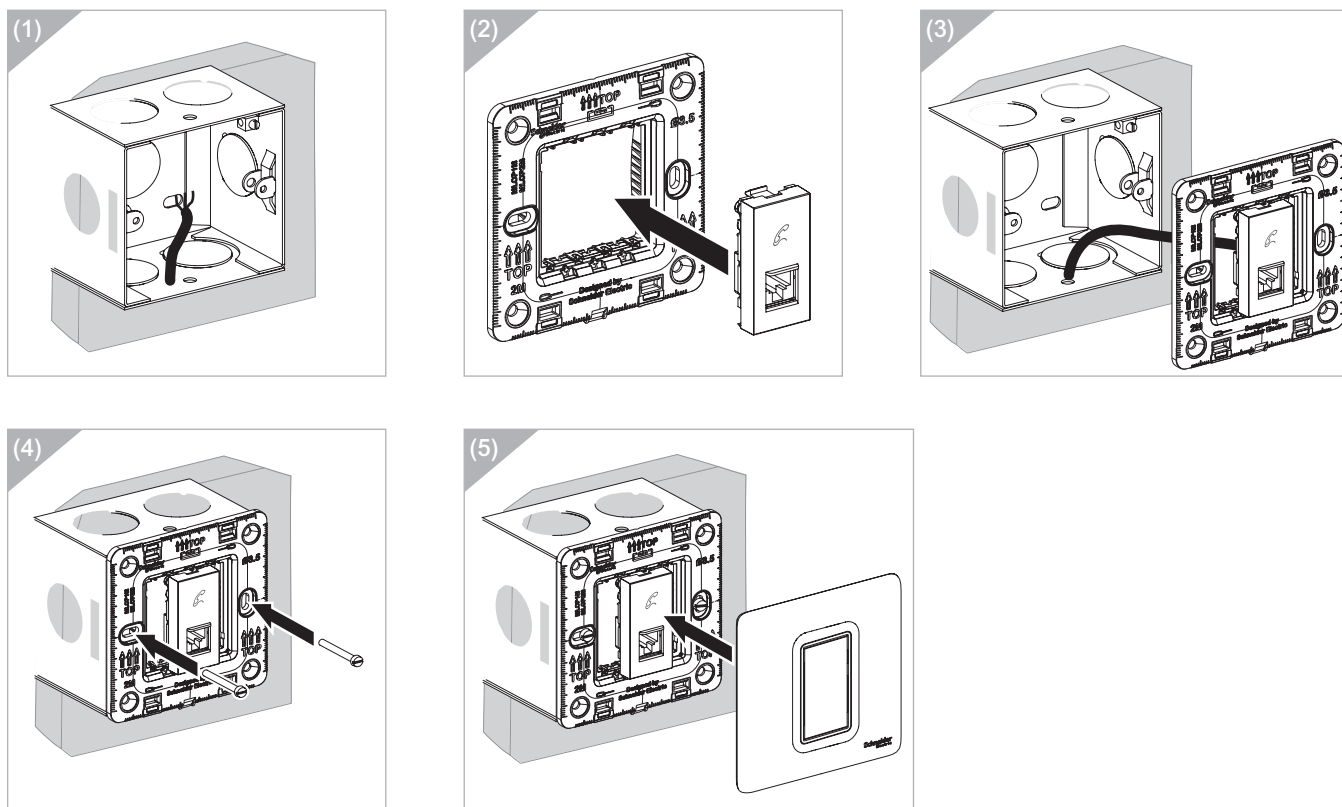


2 modules

Technical Information

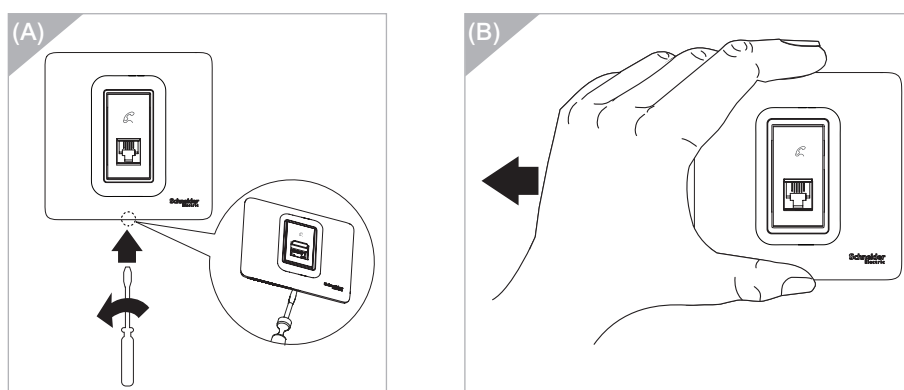
Connections

RJ11 Telephone Socket



Mounting the module

- (1) Mount the wall box to the wall.
- (2) Snap the module to the grid plate.
- (3) Connect the wires to the module as per the wiring diagram.
- (4) Place the grid plate on the wall box and secure it using the screws on both sides.
- (5) Assemble the cover frame on the module, ensuring proper engagement by hearing a clear “click.”

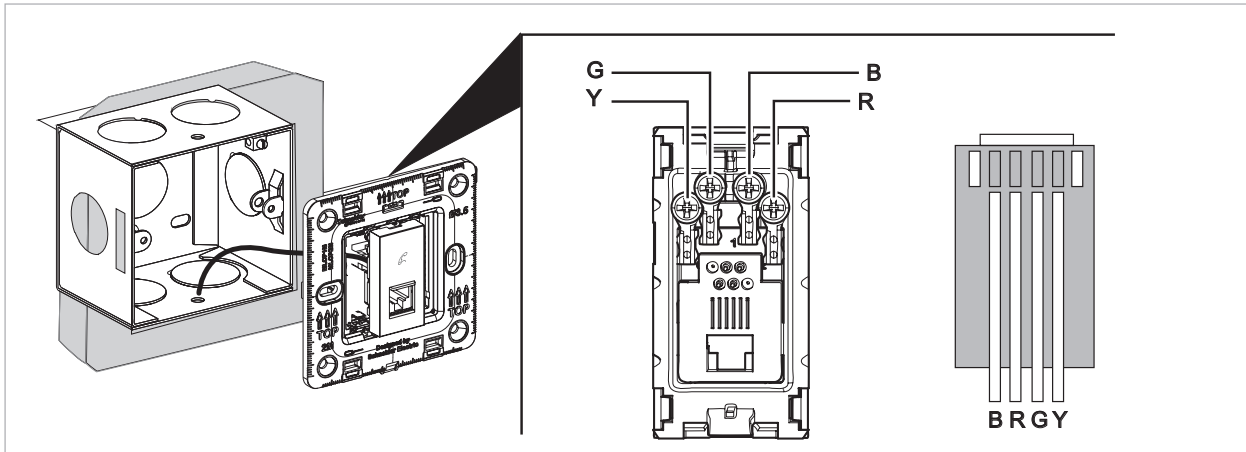


Unmounting the module

- (A) Insert a screwdriver between the cover frame and the wall surface to remove the cover frame. Then twist the screwdriver to disassemble the cover frame from the module.
- (B) Use the other hand to support and remove the cover frame.

Technical Information

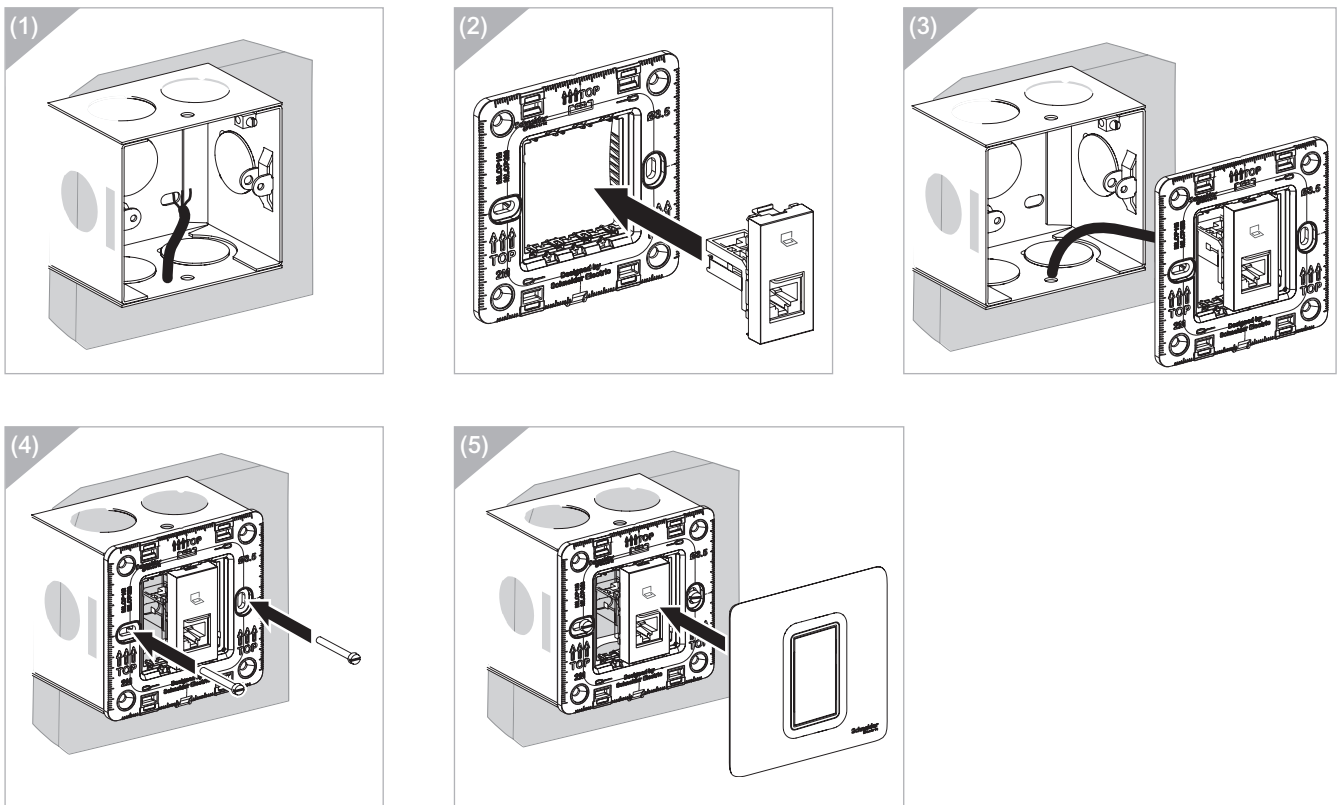
Connections



Make wiring connections as per the diagram:

- B- Black
- R- Red
- G- Green
- Y- Yellow

RJ45 Data Socket

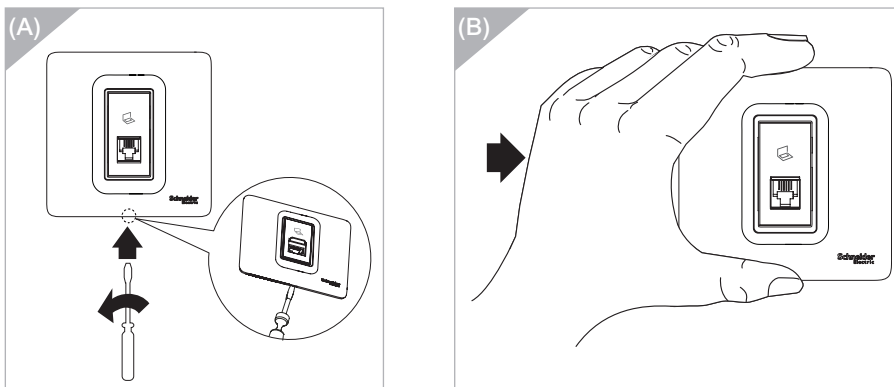


Mounting the module

- (1) Mount the wall box to the wall.
- (2) Snap the module to the grid plate.
- (3) Connect the wires to the module as per the wiring diagram.
- (4) Place the grid plate on the wall box and secure it using the screws on both sides.
- (5) Assemble the cover frame on the module, ensuring proper engagement by hearing a clear “click.”

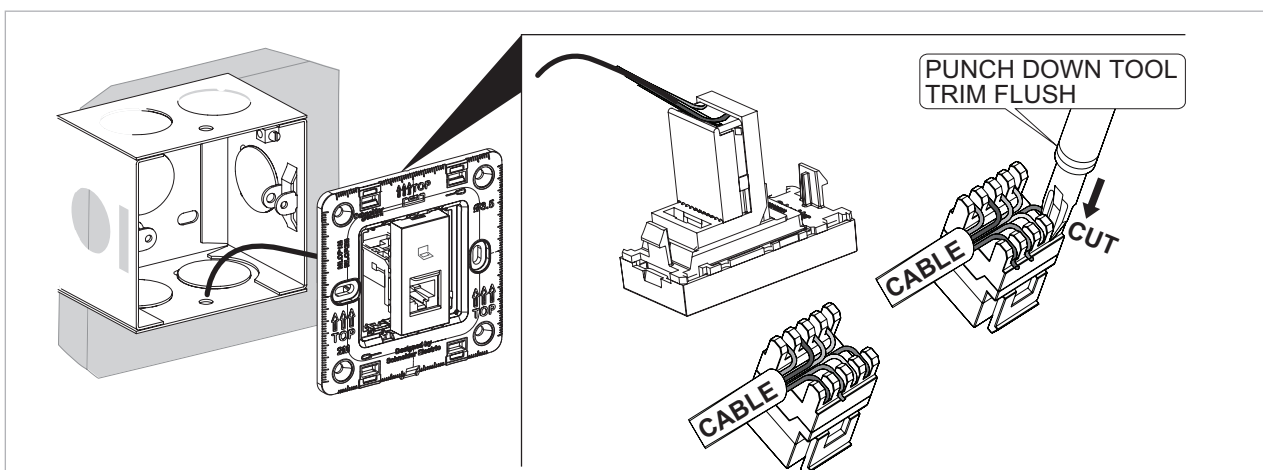
Technical Information

Connections



Unmounting the module

- (A) Insert a screwdriver between the cover frame and the wall surface to remove the cover frame. Then twist the screwdriver to disassemble the cover frame from the module.
- (B) Use the other hand to support and remove the cover frame.

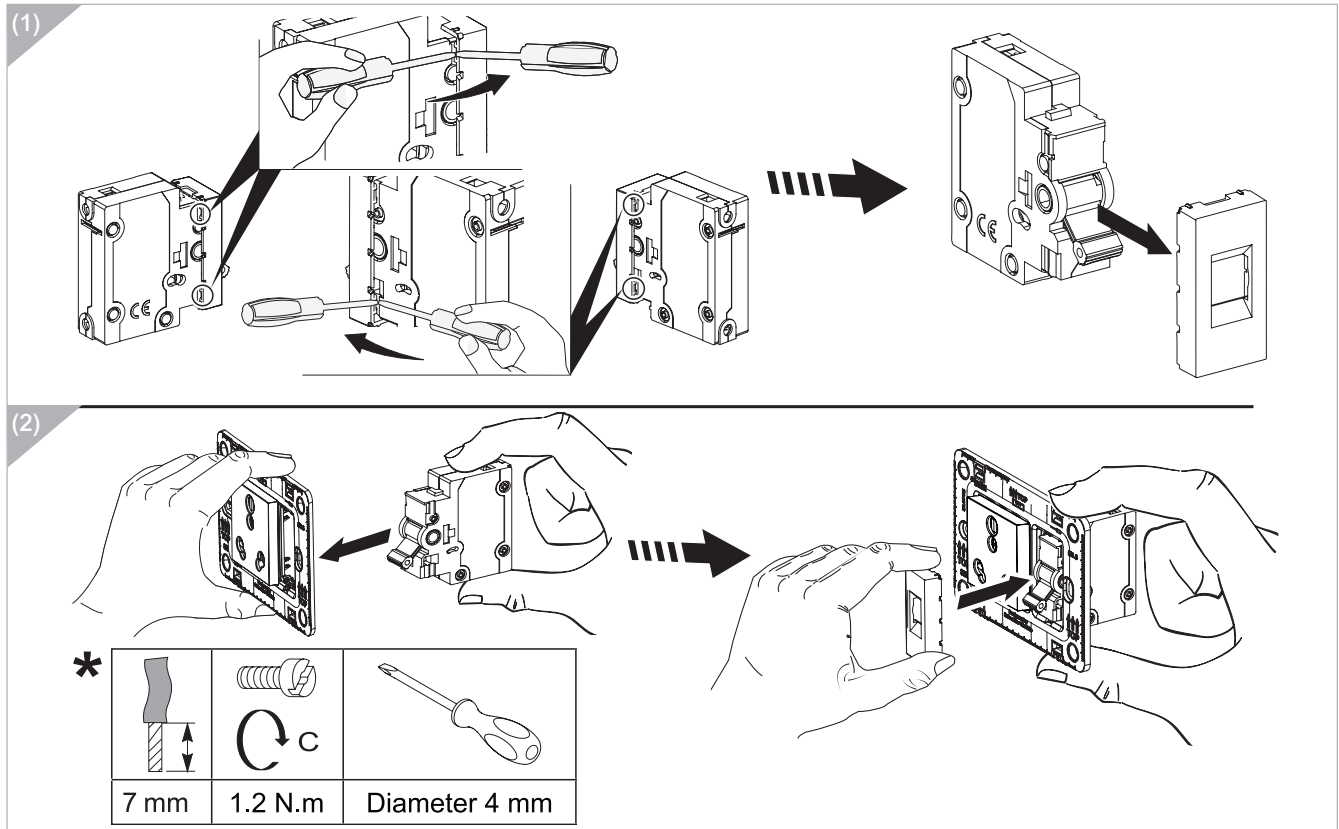


Make wiring connections as per the diagram:

Modular Wiring Configuration		
Color Code	T568B	T568A
White-Blue	5	5
Blue	4	4
White-Orange	1	3
Orange	2	6
White-Green	3	1
Green	6	2
White-Brown	7	7
Brown	8	8

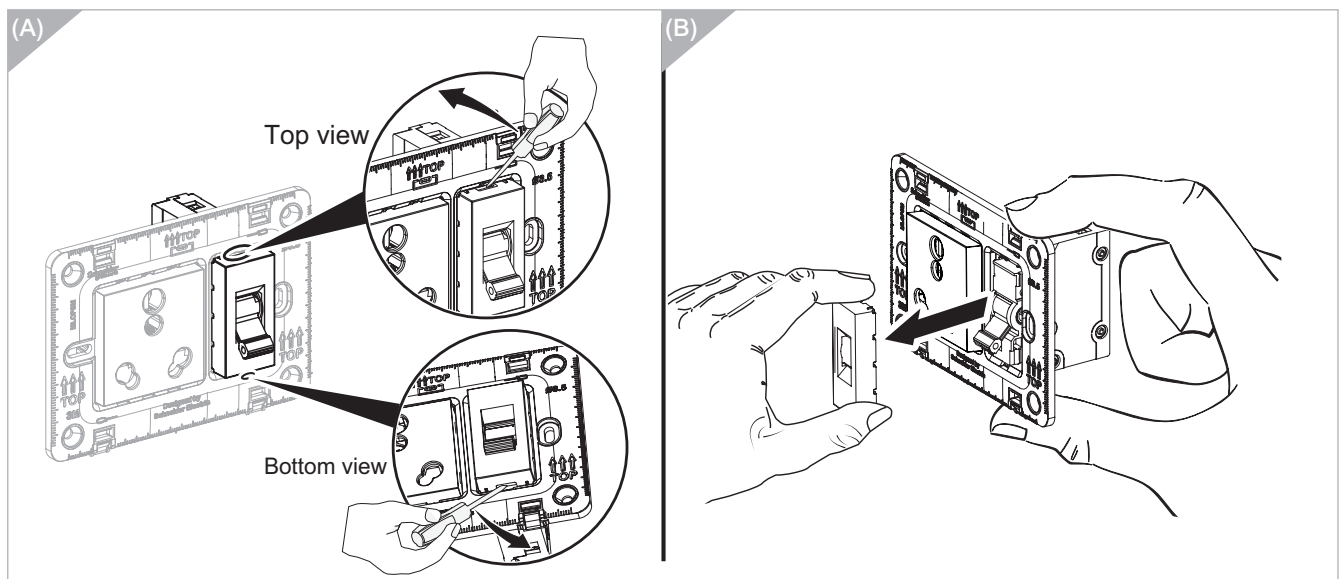
Technical Information Connections

Circuit Breaker



Mounting the module

- (1) Remove the centre plate from the mini MCB using a flat screwdriver.
- (2) Secure the mini MCB on the grid plate and hold both assembled components in one hand. Assemble the center plate from the front and press them together until you hear a “click” sound.



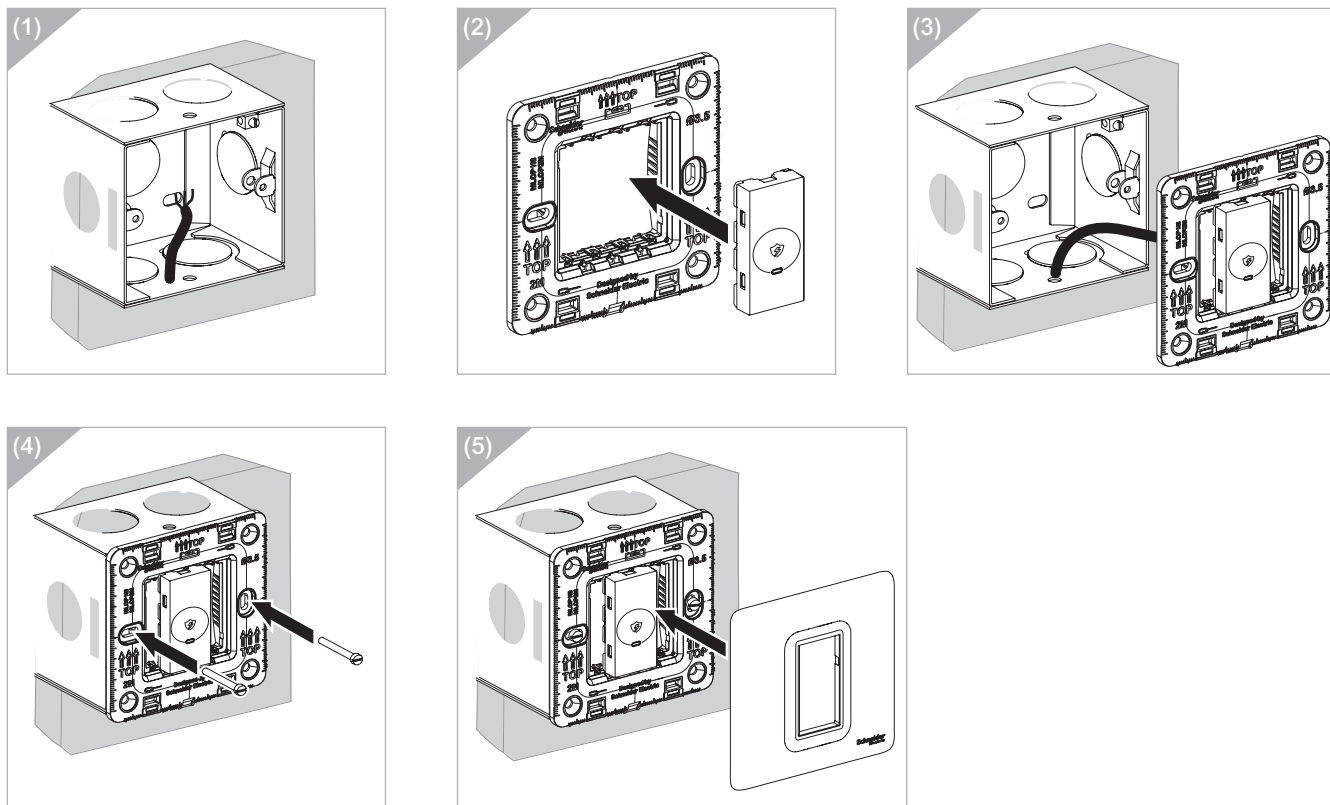
Unmounting the mini MCB

- (A) Unmount the centre plate from the mini MCB using a flat screwdriver.
- (B) Remove the centre plate and the mini MCB from the grid plate.

Technical Information

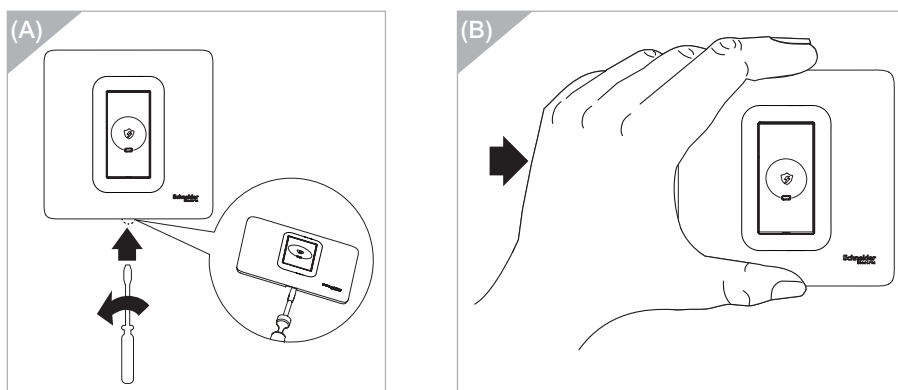
Connections

Voltage Surge Protector



Mounting the module

- (1) Mount the wall box to the wall.
- (2) Snap the module to the grid plate.
- (3) Connect the wires to the module as per the wiring diagram.
- (4) Place the grid plate on the wall box and secure it using the screws on both sides.
- (5) Assemble the cover frame on the module, ensuring proper engagement by hearing a clear “click.”

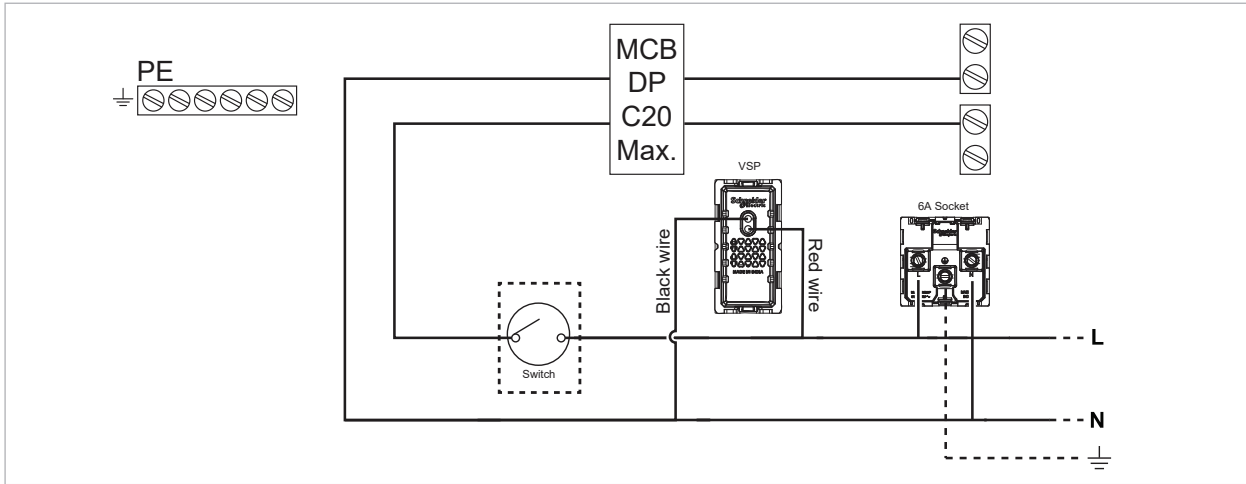


Unmounting the module

- (A) Insert a screwdriver between the cover frame and the wall surface to remove the cover frame. Then twist the screwdriver to disassemble the cover frame from the module.
- (B) Use the other hand to support and remove the cover frame.

Technical Information

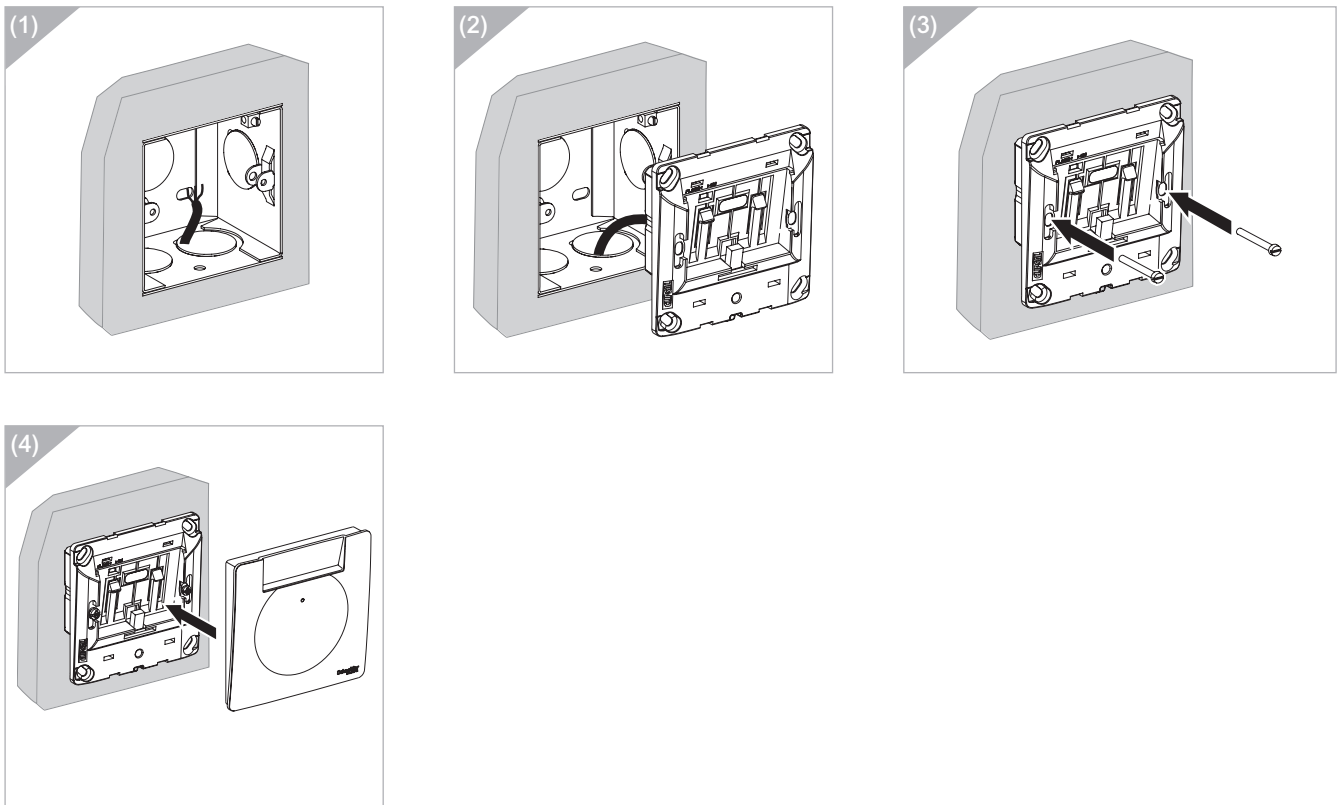
Connections



Make wiring connections as per the diagram: L-Live, N-Neutral

Note: Regularly check that the green LED is ON. When red LED is ON, change the product. The sockets should be installed near to the Voltage Surge Protector.

Electronic Key Card Switch

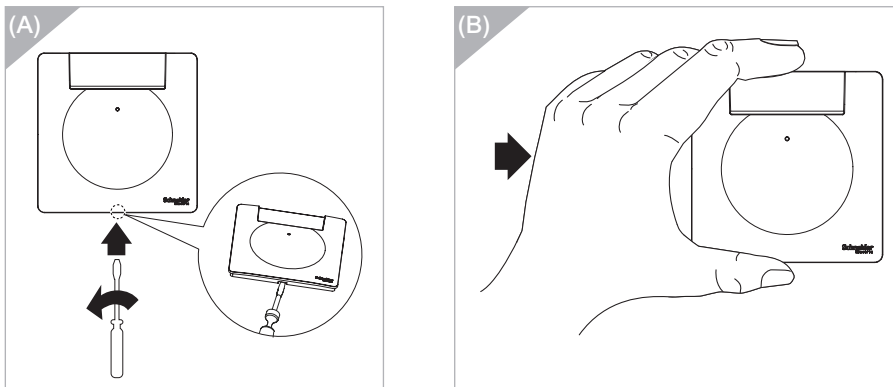


Mounting the module

- (1) Mount the wall box to the wall.
- (2) Connect the wires to the Electronic key card switch as per the wiring diagram.
- (3) Place the Electronic key card switch on the wall box and secure it using the screws on both sides.
- (4) Assemble the cover plate on the key card switch, ensuring proper engagement by hearing a clear "click."

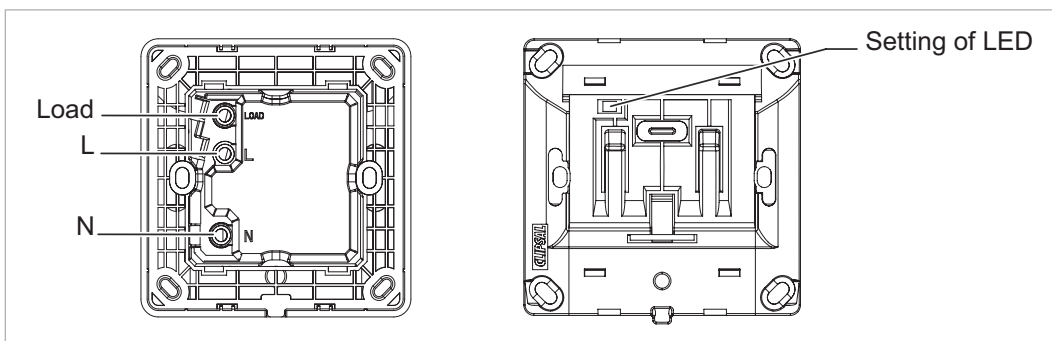
Technical Information

Connections



Unmounting the module

- (A) Insert a screwdriver between the cover frame and the wall surface to remove the cover frame. Then twist the screwdriver to disassemble the cover frame from the module.
- (B) Use the other hand to support and remove the cover frame.

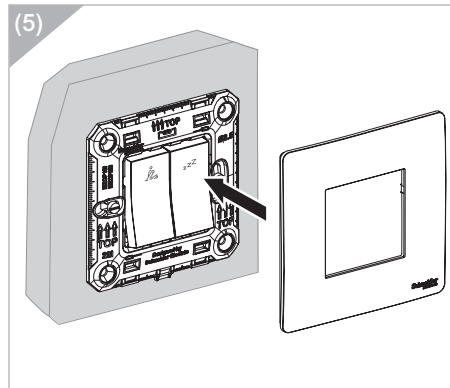
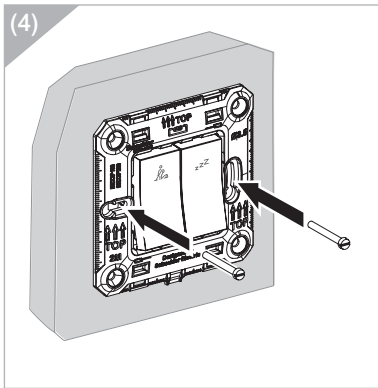
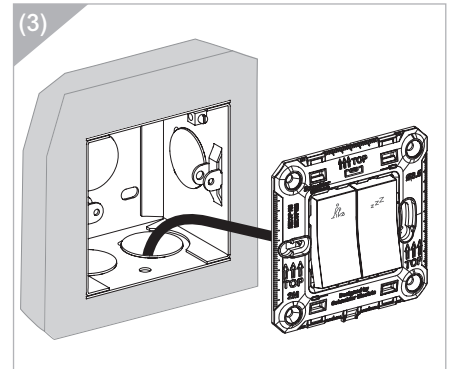
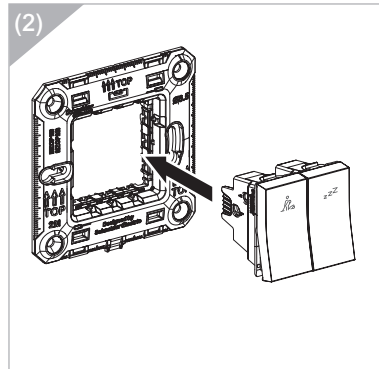
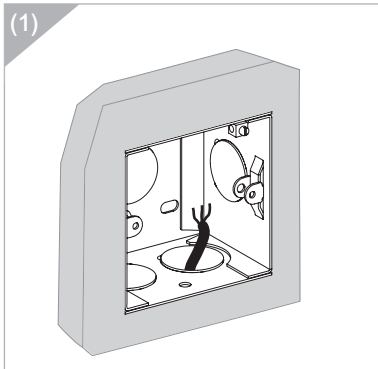


Make wiring connections as per the diagram: L-Live, N-Neutral

Technical Information

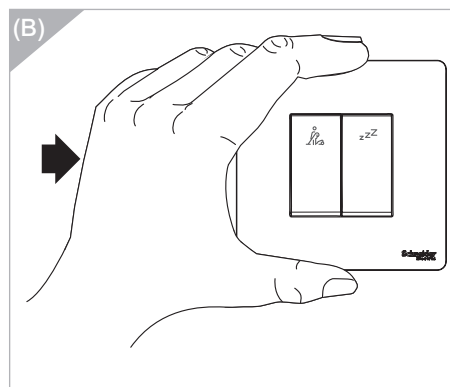
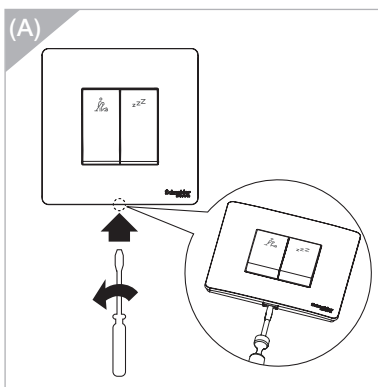
Connections

DND MMR Switch



Mounting the module

- (1) Mount the wall box to the wall.
- (2) Snap the switch to the grid plate.
- (3) Connect the wires to the switch as per the wiring diagram.
- (4) Place the grid plate on the wall box and secure it using the screws on both sides.
- (5) Assemble the cover frame on the switch, ensuring proper engagement by hearing a clear “click.”

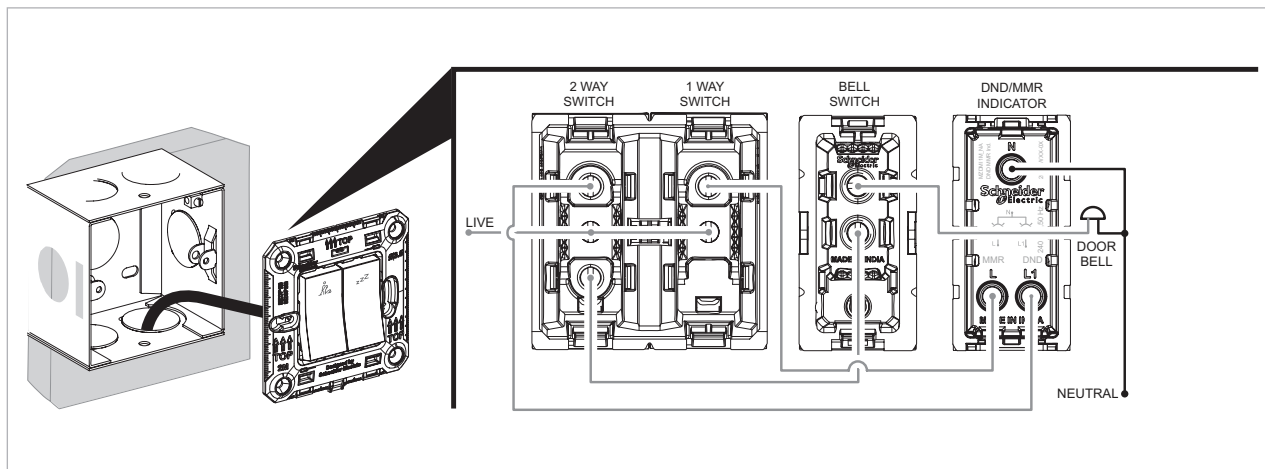


Unmounting the module

- (A) Insert a screwdriver between the cover frame and the wall surface to remove the cover frame. Then twist the screwdriver to disassemble the cover frame from the switch.
- (B) Use the other hand to support and remove the cover frame.

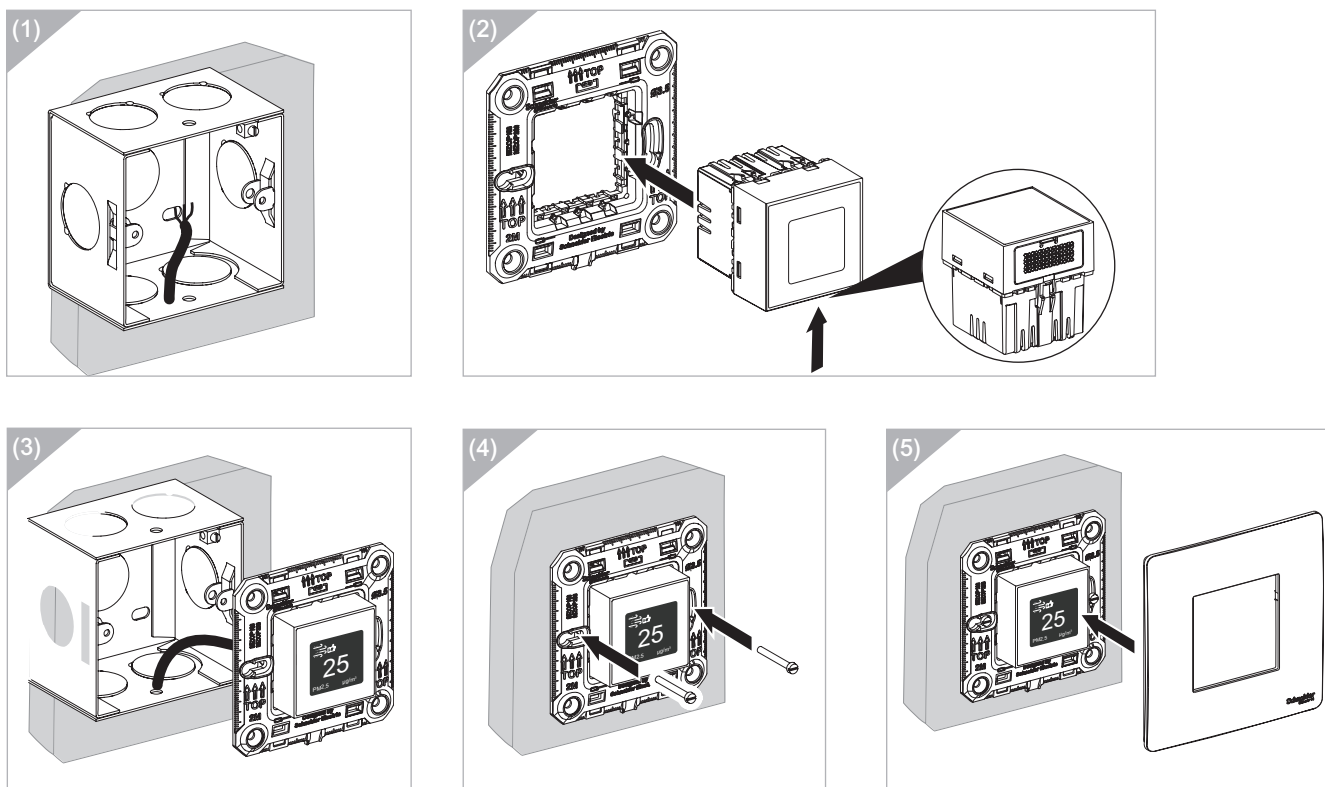
Technical Information

Connections



Make wiring connections as per the diagram: L-Live, N-Neutral

Air Quality Indicator

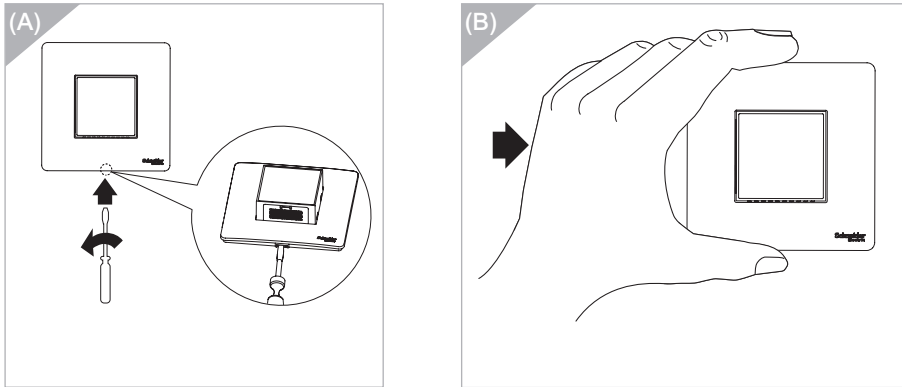


Mounting the module

- (1) Mount the wall box to the wall.
- (2) Snap the module to the grid plate, making sure the filter opening is placed on the downside during installation.
- (3) Connect the wires to the module as per the wiring diagram.
- (4) Place the grid plate on the wall box and secure it using the screws on both sides.
- (5) Assemble the cover frame on the module, ensuring proper engagement by hearing a clear “click.”

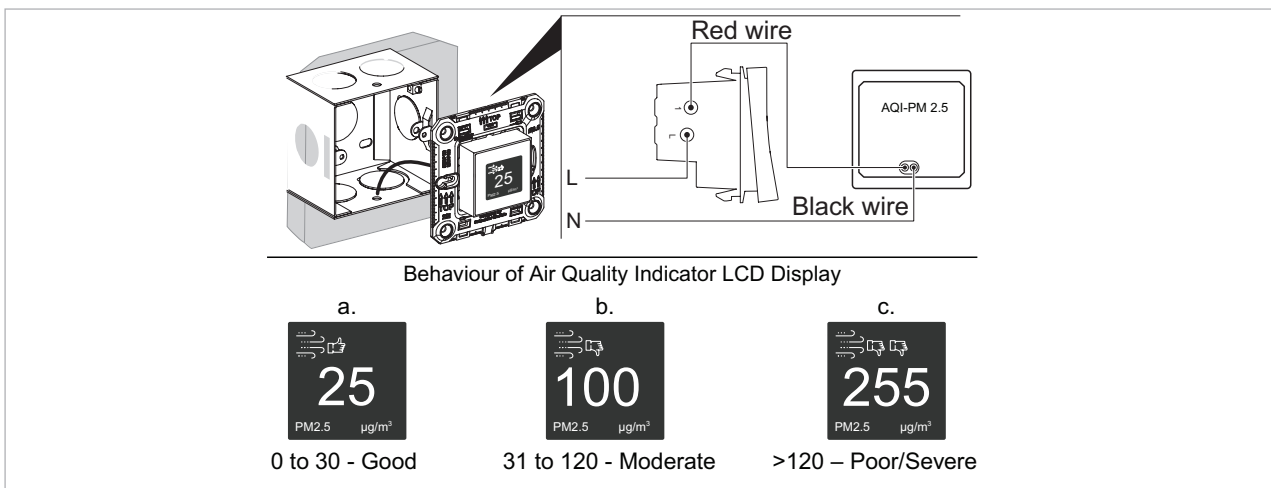
Technical Information

Connections



Unmounting the module

- (A) Insert a screwdriver between the cover frame and the wall surface to remove the cover frame. Then twist the screwdriver to disassemble the cover frame from the module.
- (B) Use the other hand to support and remove the cover frame.



Note:

- Make wiring connections as per the diagram: L-Live, N-Neutral
- Periodically clean the filter area for good performance.



Miluz ZeTa Reference Numbers



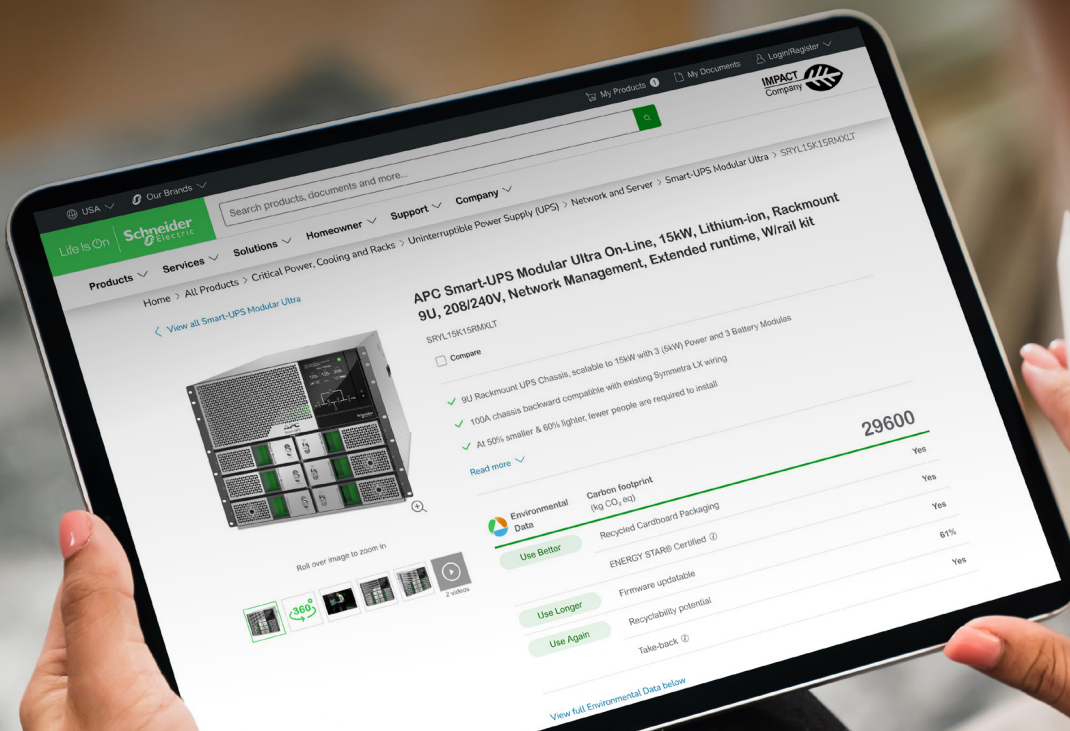
Reference Numbers

Overview

Ref.	Page	Ref.	Page	Ref.	Page	Ref.	Page
MZAIQI2M_AN	9	MZCP6M_WG	19	MZFR4STP1M_WG	9	MZSW102M1W_WH	7
MZAIQI2M_WG	9	MZCP6M_WH	19	MZFR4STP1M_WH	9	MZSW161M1W_AN	7
MZAIQI2M_WH	9	MZCP8MH_AN	19	MZFR5STP2M_AN	9	MZSW161M1W_WG	7
MZBLANK1M_AN	7	MZCP8MH_BZ	19	MZFR5STP2M_WG	9	MZSW161M1W_WH	7
MZBLANK1M_WG	7	MZCP8MH_CG	19	MZFR5STP2M_WH	9	MZSW161M2W_AN	7
MZBLANK1M_WH	7	MZCP8MH_SG	19	MZFTLMPSEN2M_AN	9	MZSW161M2W_WG	7
MZBP1M_AN	9	MZCP8MH_WG	19	MZFTLMPSEN2M_WG	9	MZSW161M2W_WH	7
MZBP1M_WG	9	MZCP8MH_WH	19	MZFTLMPSEN2M_WH	9	MZSW162M1W_AN	7
MZBP1M_WH	9	MZCP8MS_AN	19	MZHDMI1M_AN	17	MZSW162M1W_WG	7
MZBP2M_AN	9	MZCP8MS_BZ	19	MZHDMI1M_WG	17	MZSW162M1W_WH	7
MZBP2M_WG	9	MZCP8MS_CG	19	MZHDMI1M_WH	17	MZSWI101M1W_AN	7
MZBP2M_WH	9	MZCP8MS_SG	19	MZIPCVR2M_GY	20	MZSWI101M1W_WG	7
MZBPI1M_AN	9	MZCP8MS_WG	19	MZIPCVR3M_GY	20	MZSWI101M1W_WH	7
MZBPI1M_WG	9	MZCP8MS_WH	19	MZKECRDSW2M_AN	10	MZSWI102M1W_AN	7
MZBPI1M_WH	9	MZCP9M_AN	19	MZKECRDSW2M_WG	10	MZSWI102M1W_WG	7
MZBPI2M_AN	9	MZCP9M_BZ	19	MZKECRDSW2M_WH	10	MZSWI102M1W_WH	7
MZBPI2M_WG	9	MZCP9M_CG	19	MZMM161P_AN	13	MZSWI161M1W_AN	7
MZBPI2M_WH	9	MZCP9M_SG	19	MZMM161P_WG	13	MZSWI161M1W_WG	7
MZCP1M_AN	19	MZCP9M_WG	19	MZMM161P_WH	13	MZSWI161M1W_WH	7
MZCP1M_BZ	19	MZCP9M_WH	19	MZMM201P_AN	13	MZSWI162M1W_AN	7
MZCP1M_CG	19	MZCP12M_AN	19	MZMM201P_WG	13	MZSWI162M1W_WG	7
MZCP1M_SG	19	MZCP12M_BZ	19	MZMM201P_WH	13	MZSWI162M1W_WH	7
MZCP1M_WG	19	MZCP12M_CG	19	MZMM321P_AN	13	MZSWI202MDP_AN	7
MZCP1M_WH	19	MZCP12M_SG	19	MZMM321P_WG	13	MZSWI202MDP_WG	7
MZCP2M_AN	19	MZCP12M_WG	19	MZMM321P_WH	13	MZSWI202MDP_WH	7
MZCP2M_BZ	19	MZCP12M_WH	19	MZMOTSTR2M_AN	7	MZSWI322MDP_AN	7
MZCP2M_CG	19	MZCP16M_AN	19	MZMOTSTR2M_WG	7	MZSWI322MDP_WG	7
MZCP2M_SG	19	MZCP16M_BZ	19	MZMOTSTR2M_WH	7	MZSWI322MDP_WH	7
MZCP2M_WG	19	MZCP16M_CG	19	MZPHSIND1M_RD	7	MZSWSO62M_AN	13
MZCP2M_WH	19	MZCP16M_SG	19	MZRJ111M_AN	17	MZSWSO62M_WG	13
MZCP3M_AN	19	MZCP16M_WG	19	MZRJ111M_WG	17	MZSWSO62M_WH	13
MZCP3M_BZ	19	MZCP16M_WH	19	MZRJ111M_WH	17	MZTV1M_AN	17
MZCP3M_CG	19	MZCP18M_AN	20	MZRJ451M_AN	17	MZTV1M_WG	17
MZCP3M_SG	19	MZCP18M_BZ	20	MZRJ451M_WG	17	MZTV1M_WH	17
MZCP3MU_AN	19	MZCP18M_CG	20	MZRJ451M_WH	17	MZUSBA1M_AN	14
MZCP3MU_BZ	19	MZCP18M_SG	20	MZSHVRSO3M_AN	13	MZUSBA1M_WG	14
MZCP3MU_CG	19	MZCP18M_WG	20	MZSHVRSO3M_WG	13	MZUSBA1M_WH	14
MZCP3MU_SG	19	MZCP18M_WH	20	MZSHVRSO3M_WH	13	MZUSBAC1M_AN	14
MZCP3MU_WG	19	MZDMI1M_NA	10	MZSO62M3P_AN	13	MZUSBAC1M_WG	14
MZCP3MU_WH	19	MZDMR1M_AN	9	MZSO62M3P_WG	13	MZUSBAC1M_WH	14
MZCP3M_WG	19	MZDMR1M_WG	9	MZSO62M3P_WH	13	MZUSBAC2MPD_AN	14
MZCP3M_WH	19	MZDMR1M_WH	9	MZSO6162M3P_AN	13	MZUSBAC2MPDH_AN	14
MZCP4M_AN	19	MZDMRUNI1M_AN	10	MZSO6162M3P_WG	13	MZUSBAC2MPDH_WG	14
MZCP4M_BZ	19	MZDMRUNI1M_WG	10	MZSO6162M3P_WH	13	MZUSBAC2MPDH_WH	14
MZCP4M_CG	19	MZDMRUNI1M_WH	10	MZSW101M1W_AN	7	MZUSBAC2MPD_WG	14
MZCP4M_SG	19	MZDMSW2M_AN	10	MZSW101M1W_WG	7	MZUSBAC2MPD_WH	14
MZCP4M_WG	19	MZDMSW2M_WG	10	MZSW101M1W_WH	7	MZVSP1M_AN	13
MZCP4M_WH	19	MZDMSW2M_WH	10	MZSW101M2W_AN	7	MZVSP1M_WG	13
MZCP6M_AN	19	MZDRCHM2M_AN	9	MZSW101M2W_WG	7	MZVSP1M_WH	13
MZCP6M_BZ	19	MZDRCHM2M_WG	9	MZSW101M2W_WH	7		
MZCP6M_CG	19	MZDRCHM2M_WH	9	MZSW102M1W_AN	7		
MZCP6M_SG	19	MZFR4STP1M_AN	9	MZSW102M1W_WG	7		



Environmental Data Program

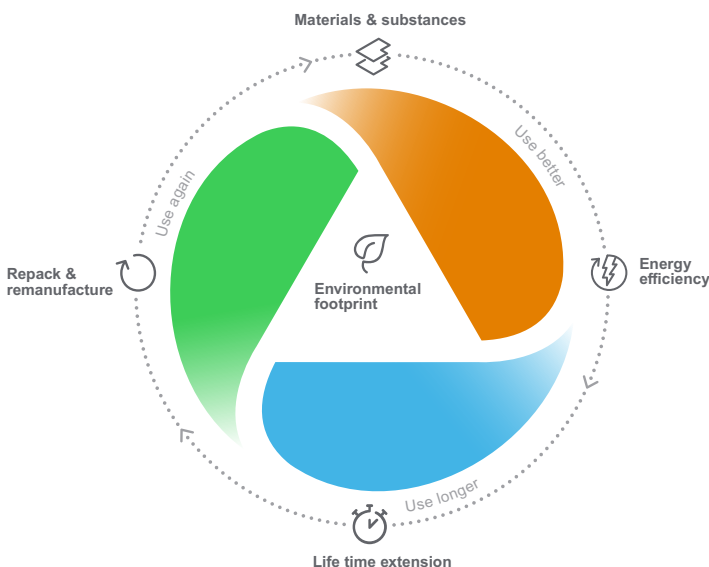


Next-level transparency for better-informed product choices

The Environmental Data Program is a framework for how we measure, categorize, and compare the environmental attributes and footprint of our products.

Using a rigorous, fact-based methodology, the program provides environmental data from across the product lifecycle.

Five data categories across the product lifecycle



Use Better: How sustainable a product is, including environmental footprint, materials and substances, packaging, and energy efficiency.

Use Longer: How a product's life time can be effectively extended in terms of repairability and updatability.

Use Again: How a product can be reused, from dismantling and remanufacturing to recyclability and manufacturer take back.

With this transparent, verified data, customers and partners are empowered to make conscious environmental choices and accurately evaluate and report on sustainability performance.

All our hardware offers have an associated environmental data available on se.com product pages.



Learn more about the **Environmental Data Program**

Life Is On | **Schneider**
Electric

Schneider Electric Industries SAS

35, rue Joseph Monier
CS 30323
92506 Rueil Malmaison Cedex
France

RCS Nanterre 954 503 439
Capital social 928 298 512 €
www.se.com

12-2024

© 2024 - Schneider Electric. All Rights Reserved.
All trademarks are owned by Schneider Electric Industries SAS or its affiliated companies.
Document reference: LSB03195EN

This document has been
printed on recycled paper

